

Welcome to NetCam HD.

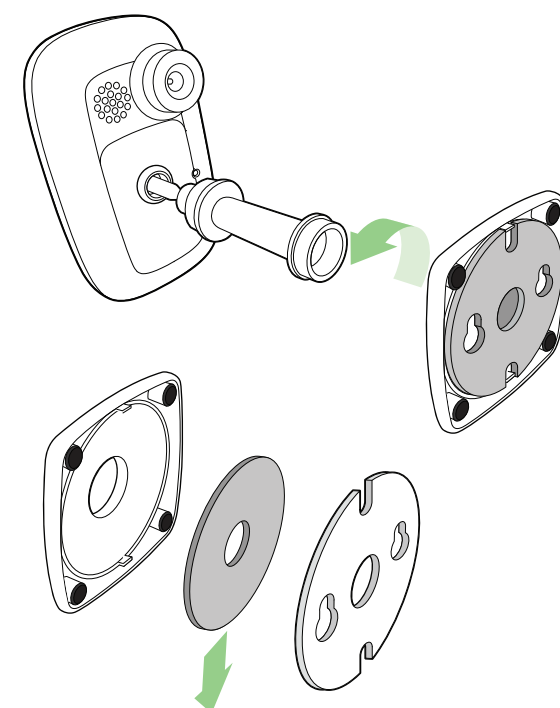
Download a complete manual at [www.belkin.com](http://www.belkin.com)

### Viewing through a browser

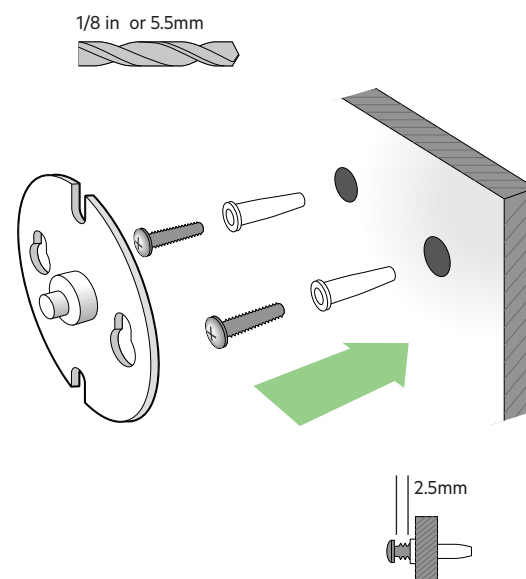
- From any computer, visit <http://www.belkin.com/netcam>
- Enter your user name and password created during setup.

### Wall-Mount

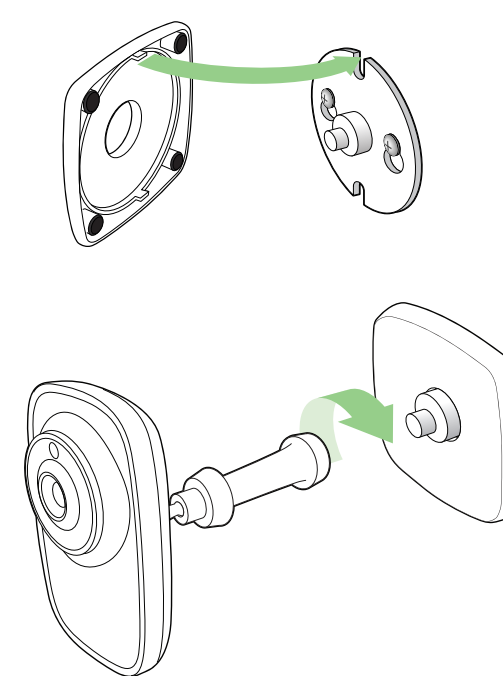
- Unscrew camera post from the base and remove weight.



- Attach screws to wall and hang plate onto screws.



- Align base with plate and screw on camera post.



**FCC Statement**  
**DECLARATION OF CONFORMITY WITH FCC RULES FOR ELECTROMAGNETIC COMPATIBILITY**  
 We, Belkin International, Inc., of 12045 E. Waterfront Drive, Playa Vista, CA 90094, declare under our sole responsibility that the device, F7D7602 V1, complies with Part 15 of the FCC Rules. Operation is subject to the following two conditions: (1) this device may not cause harmful interference, and (2) this device must accept any interference received, including interference that may cause undesired operation.

**Caution: Exposure to Radio Frequency Radiation.**  
 The radiated output power of this device is far below the FCC radio frequency exposure limits. Nevertheless, the device shall be used in such a manner that the potential for human contact during normal operation is minimized. When connecting an external antenna to the device, the antenna shall be placed in such a manner to minimize the potential for human contact during normal operation. In order to avoid the possibility of exceeding the FCC radio frequency exposure limits, human proximity to the antenna shall not be less than 20cm (8 inches) during normal operation.

**Federal Communications Commission Notice**  
 This equipment has been tested and found to comply with the limits for a Class B digital device, pursuant to Part 15 of the FCC Rules. These limits are designed to provide reasonable protection against harmful interference in a residential installation. This equipment generates, uses, and can radiate radio frequency energy, and if not installed and used in accordance with the instructions, may cause harmful interference to radio communications. However, there is no guarantee that interference will not occur in a particular installation. If this equipment does cause harmful interference to radio or television reception, which can be determined by turning the equipment off and on, the user is encouraged to try and correct the interference by one or more of the following measures:

- Reorient or relocate the receiving antenna.
- Increase the distance between the equipment and the receiver.
- Connect the equipment to an outlet on a circuit different from that to which the receiver is connected.
- Consult the dealer or an experienced radio/TV technician for help.

**FCC Caution:** Any changes or modifications not expressly approved by the party responsible for compliance could void the user's authority to operate this equipment.

**IMPORTANT NOTE:**  
**Radiation Exposure Statement**  
 This equipment complies with FCC radiation exposure limits set forth for an uncontrolled environment. End users must follow the specific operating instructions for satisfying RF exposure compliance. To maintain compliance with FCC RF exposure compliance requirements, please follow operating instructions as documented in this manual.  
 This transmitter must not be co-located or operating in conjunction with any other antenna or transmitter. Operations in the 5.15-5.25GHz band are restricted to indoor usage only.

**IMPORTANT NOTE:**  
**FCC Radiation Exposure Statement:**  
 This equipment complies with FCC radiation exposure limits set forth for an uncontrolled environment. This equipment should be installed and operated with a minimum distance of 25cm between the radiator and your body.  
 This transmitter must not be co-located or operating in conjunction with any other antenna or transmitter.

**IC Statement:**  
 This Class B digital apparatus complies with Canadian ICES-003.  
 Cet appareil numérique de la classe B conforme à la norme NMB-003 du Canada.

**Industry Canada Statement:**  
 This device complies with RSS-310 of the Industry Canada Rules. Operation is subject to the following two conditions:  
 (1) This device may not cause interference, and  
 (2) This device must accept any interference, including interference that may cause undesired operation of the device.

**Important Note:**  
 Ce dispositif est conforme à la norme CNR - standards d'Industrie Canada applicable aux appareils radio exempts de licence. Son fonctionnement est sujet aux deux conditions suivantes: (1) le dispositif ne doit pas produire de brouillage préjudiciable, et (2) le dispositif doit accepter tout brouillage reçu, y compris un brouillage susceptible de provoquer un fonctionnement indésirable.

**IMPORTANT NOTE:**  
**Radiation Exposure Statement:**  
 This equipment complies with IC radiation exposure limits set forth for an uncontrolled environment. This equipment should be installed and operated with a minimum distance of 20cm between the radiator and your body.  
**Declaration d'exposition aux radiations:**  
 Cet équipement est conforme aux limites d'exposition aux rayonnements IC établies pour un environnement non contrôlé.  
 Cet équipement doit être installé et utilisé avec un minimum de 20 cm de distance entre la source de rayonnement et votre corps.

**Avvertimento:**  
 This radio transmitter (IC 3433A-F7D7602V1/Modèle F7D7602V1) has been approved by Industry Canada to operate with the antenna types listed below with the maximum permissible gain and required antenna impedance for each antenna type indicated. Antenna types not included in this list having a gain greater than the maximum gain indicated for that type, are strictly prohibited for use with this device.  
 Ce dispositif a été conçu pour fonctionner avec une antenne ayant un gain maximal de PCB dipole antenne avec dB 2.1. Une antenne à gain plus élevé est strictement interdite par les règlements d'Industrie Canada. L'impédance d'antenne requise est de 50 ohms.  
 Conformément à la réglementation d'Industrie Canada, le présent émetteur radio peut fonctionner avec une antenne d'un type et d'un gain maximal (ou inférieur) approuvé par Industrie Canada. Dans la liste de réduire les risques de brouillage radioélectrique l'émission des autres utilisateurs, il faut choisir le type d'antenne et son gain de sorte que l'impédance isotrope rayonnée équivalente (LIRE) ne dépasse pas l'impédance requise pour chaque type d'antenne. Les types d'antenne non inclus dans cette liste, ou dont le gain est supérieur au gain maximal indiqués, sont strictement interdits pour l'exploitation de l'émetteur.

8820-0123A-Rev.A00  
 F7D7602V1

**NETCAM HD** **belkin.**  
 Wi-Fi HD Camera with Night Vision

Quick Install Guide

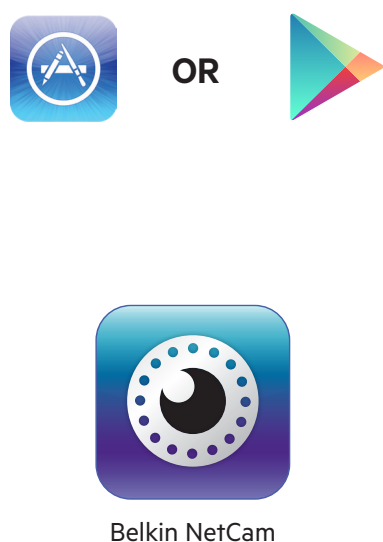


Front

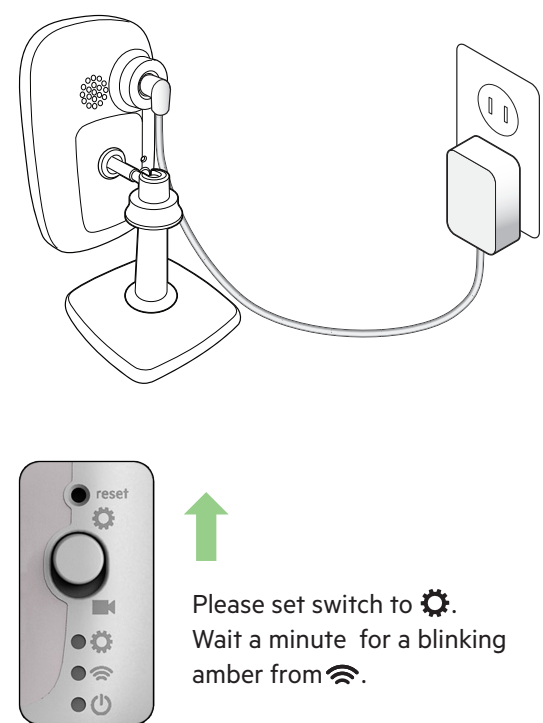
28  
 [711.200]

### Setup

- Download Belkin NetCam app on your smartphone or tablet. If you have done so already and you're adding additional cameras, begin at step 2.

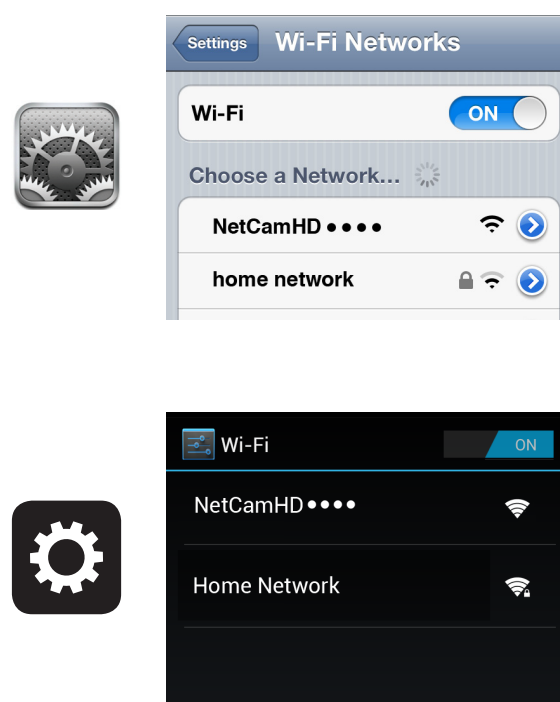


- Plug in NetCam HD.

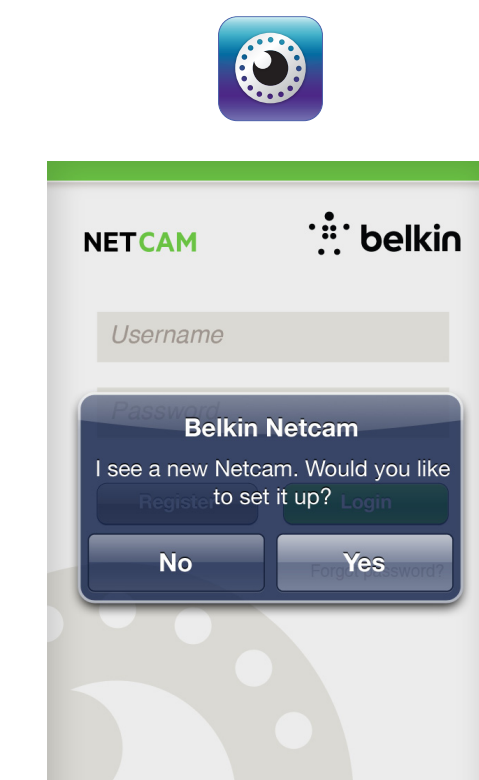


Please set switch to . Wait a minute for a blinking amber from .

- Connect to NetCam HD Wi-Fi signal.



- Launch NetCam app to complete setup.

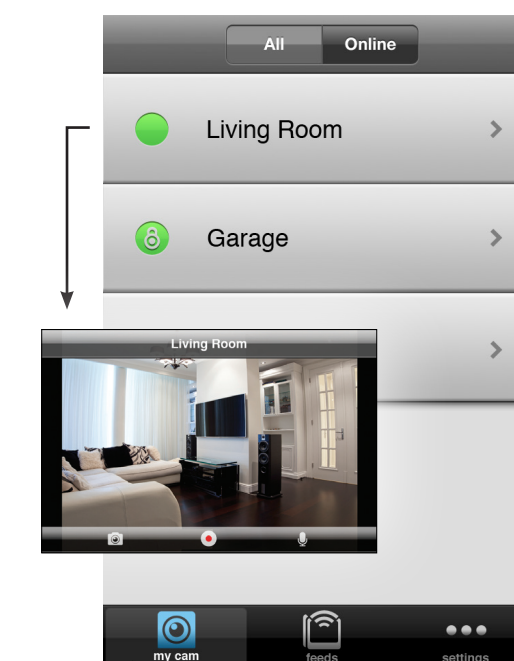


- After completing setup, set switch to .



### App Features:

Tap camera name to view camera.



- Camera Status Icons:
- Online: Camera is available to share with multiple guests.
  - Private: Camera is set to block all guests.
  - Offline: Camera is manually disabled.
  - An error occurred with the camera.

Tap to access your camera's settings page.

